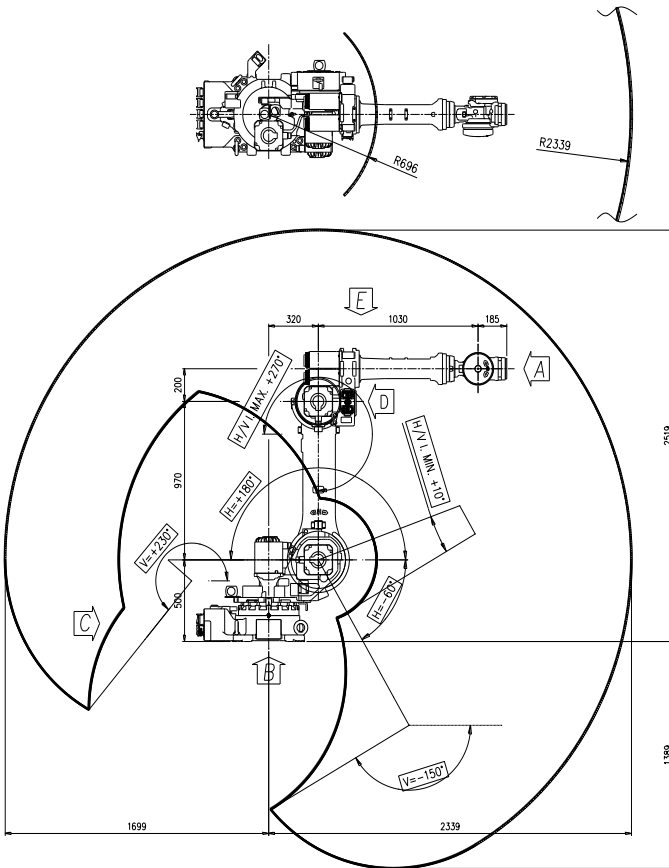


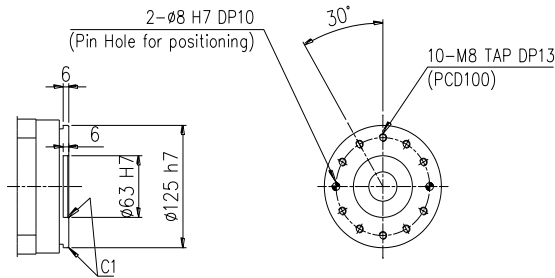
YS140

Payload 140Kg

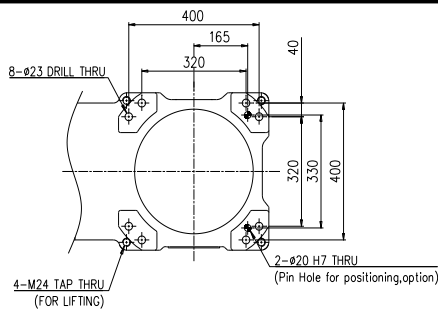
Installation method		Application	
Floor	●	Spot welding	●
Ceiling	●	Arc welding	●
Wall surface	●	Handling	●
		Assembly	●
		Sealing	●
		Painting	●



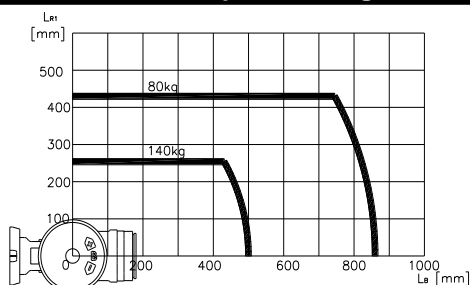
View A: Detailed drawing of the wrist attachment part



View B: Dimensional drawing for the floor installation of the body

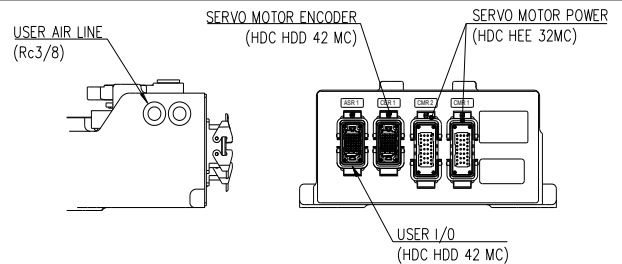


Wrist-axis torque line diagram

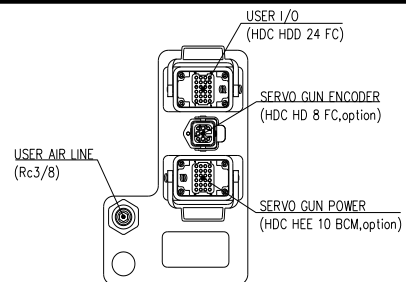


Item		Specification	
Robot model		YS140	
Payload		140 Kg	
Structure		Articulated	
Degree of freedom		6 axes	
Max. working envelope	Arm	S Swivel	±3.141 rad (±180°)
		H Horizontal	+3.141 ~ -1.047rad (+180° ~ -60°)
		V Vertical	+3.141 ~ -1.396rad (+180° ~ -80°)
	Wrist	R2 Rotation 2	±6.283 rad (±360°)
		B Bending	±2.182 rad (±125°)
Max. working speed	Arm	S Swivel	2.443 rad / s (140° / s)
		H Horizontal	1.920 rad / s (110° / s)
		V Vertical	2.094rad / s (120° / s)
	Wrist	R2 Rotation 2	2.880 rad / s (165° / s)
		R1 Rotation 1	4.363 rad / s (250° / s)
Wrist torque	R2 Rotation 2	686 Nm (70 Kgfm)	
	B Bending	686 Nm (70 Kgfm)	
	R1 Rotation 1	343 Nm (35 Kgfm)	
Accuracy of position repeatability		±0.15 mm	
Ambient Temperature		0 ~ 45 °C (273 ~ 318 K)	
Robot's Weight		670 Kg	

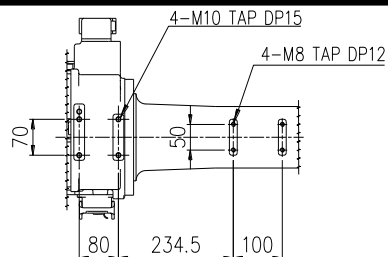
View C: Application cable connection part



View D: Application cable connection part



View E: Details of the application ancillary part attachment



** For product improvement, some of the ratings, specifications, dimensions, etc. are subject to changes without notice.