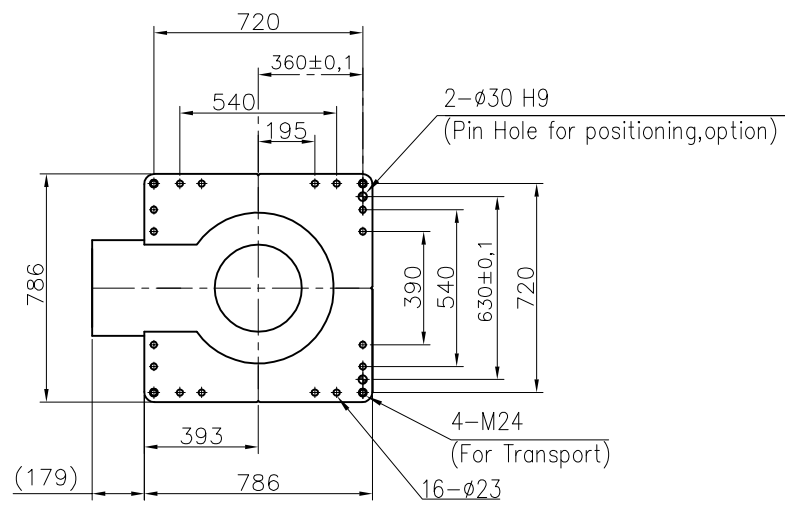
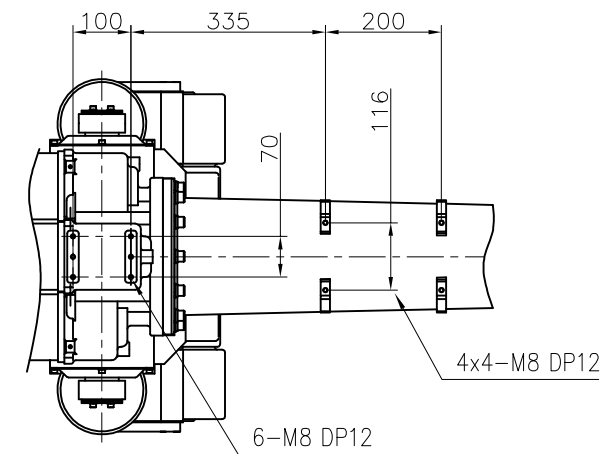


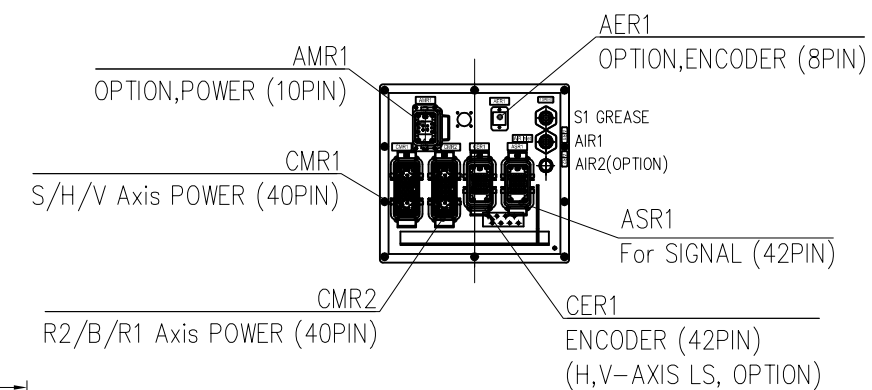
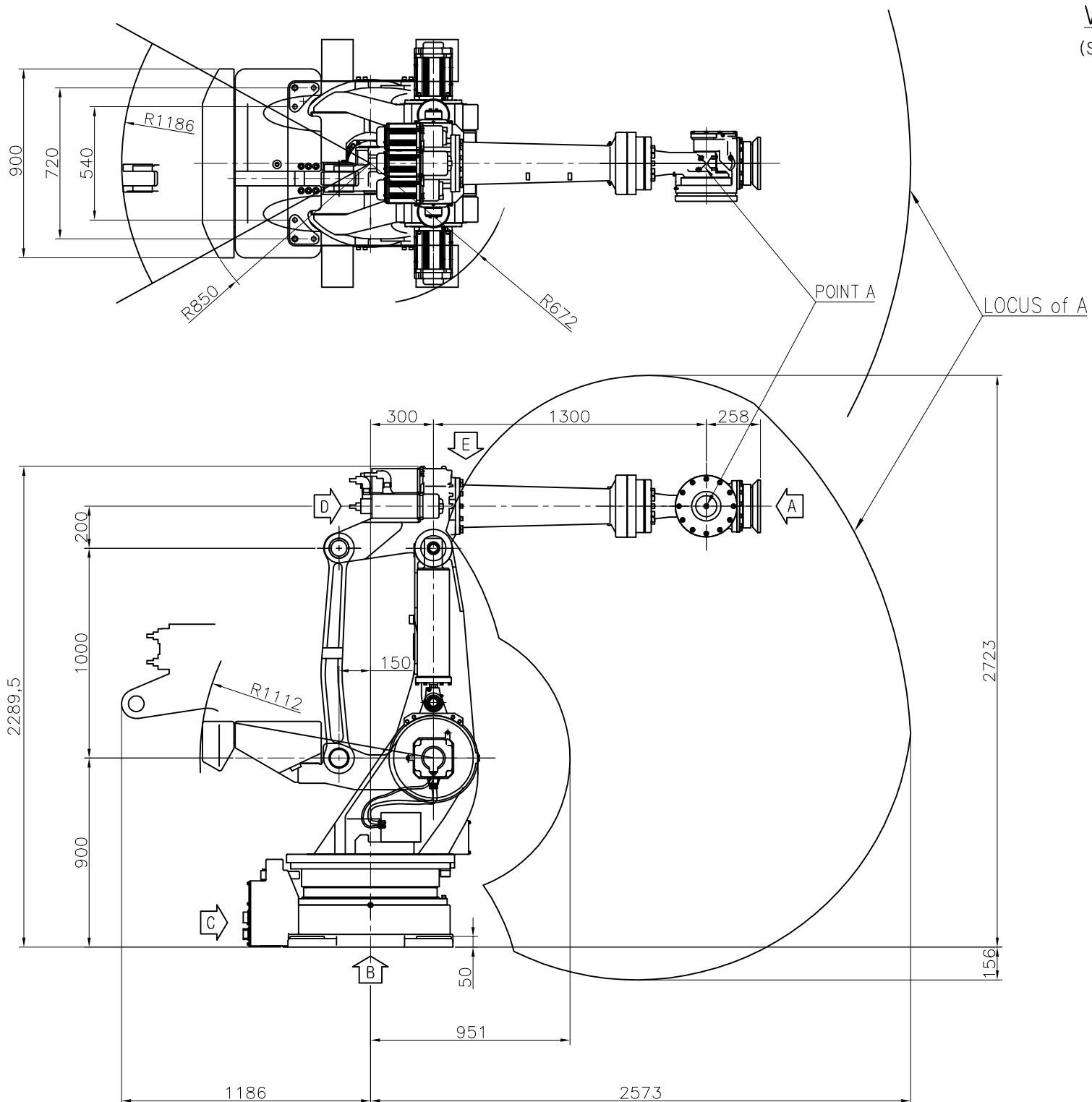
VIEW "A"  
(SCALE : 2/1)



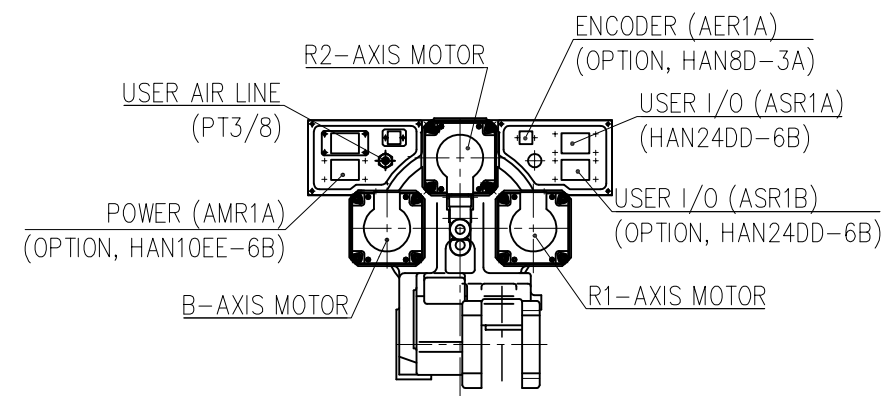
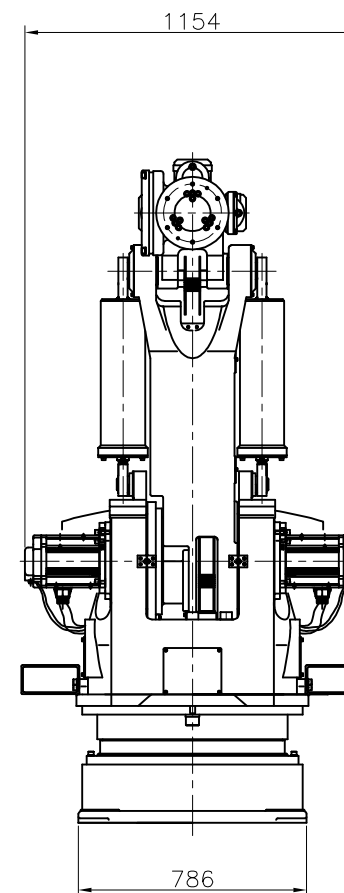
VIEW "B"  
(SCALE : 1/1)



VIEW "E"  
(SCALE : 2/1)



VIEW "C" <For Hi5a Controller>  
(SCALE : 2/1)



VIEW "D"  
(SCALE : 2/1)

TECHNICAL SPECIFICATION SUBJECT TO  
CHANGE WITHOUT NOTICE

MODEL	HX400	issue.0
DATE	2018.06.19	

