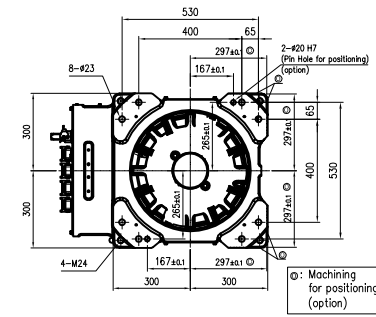
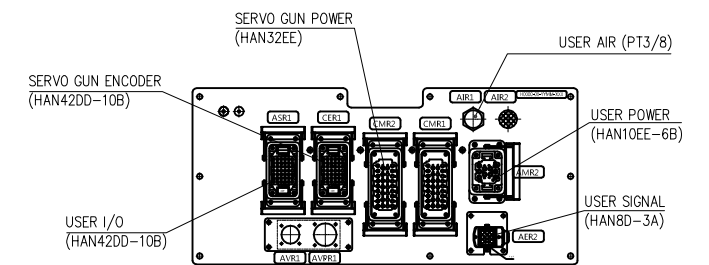
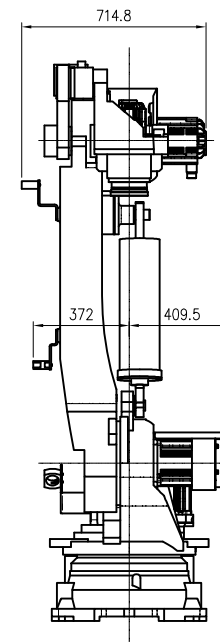
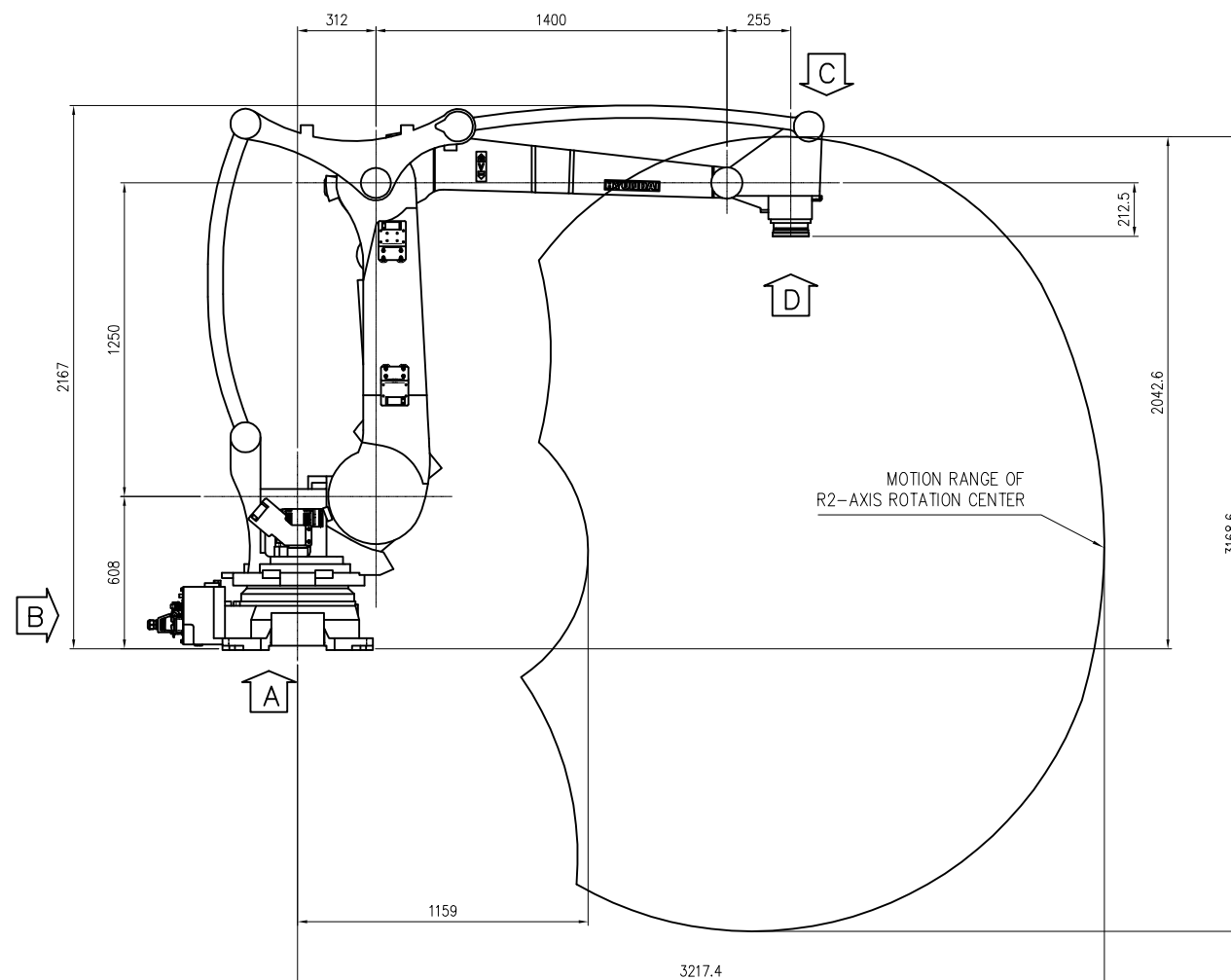


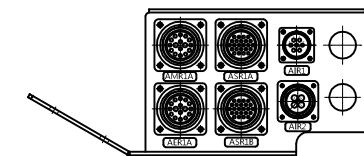
VIEW "D"
(SCALE : 1/1)



VIEW "A"
(SCALE : 1/1)



VIEW "B"
(SCALE : 2/1)



VIEW "C"
(SCALE : 2/1)

MODEL	HP130	issue.0
DATE	2019.08.26	

TECHNICAL SPECIFICATION SUBJECT TO CHANGE WITHOUT NOTICE

